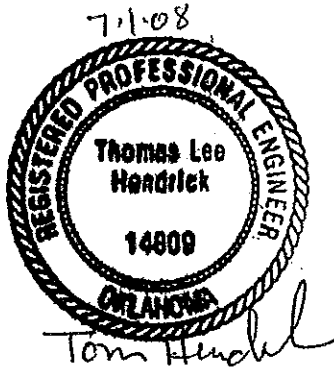
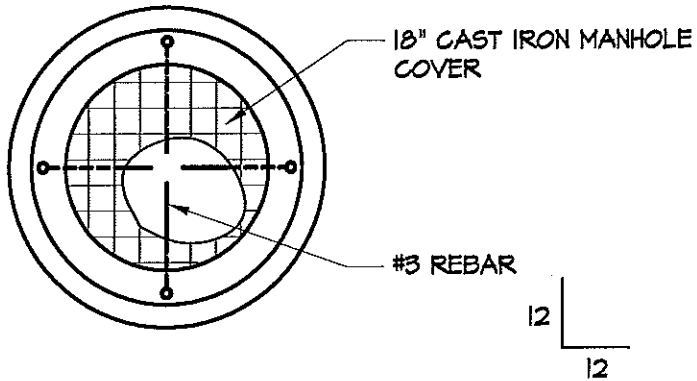


**NOTES:**

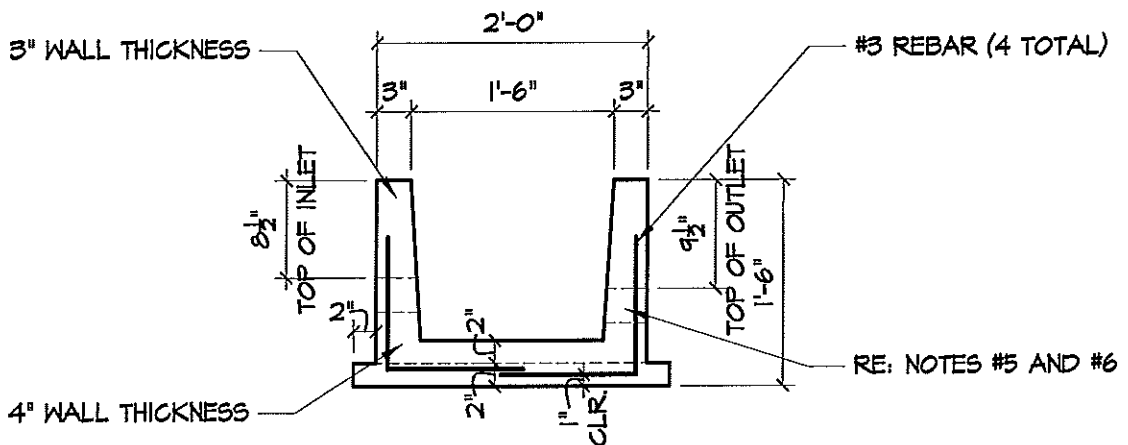
1. CONCRETE THICKNESS SHALL BE AS SHOWN.
2. CONCRETE STRENGTH = 6000 PSI. THE WATER-CEMENT RATIO SHALL NOT EXCEED 0.45.
3. REINFORCING SHALL BE #3 BARS AS SHOWN (40 KSI).
4. WALL AND FLOOR REINFORCING SHALL BE PLACED AT THE CENTER OF THE SLABS.
5. THE DIAMETER OF THE INLET AND OUTLET CAN VARY FROM 2" TO 4".
6. THE DROP IN THE WELL FROM INLET TO OUTLET CAN BE ADJUSTED PER ORDER.



Oklahoma Certificate of  
Authorization #1460  
Expiration Date: 6/30/09



**PLAN VIEW**



**FRONT VIEW**

	<p>18" SAMPLING PORT/WELL</p>	<p>PROJECT NO.: 0610624</p>
		<p>ORIGINAL ISSUE DATE: 6/30/08</p>
<p>WALLACE ENGINEERING STRUCTURAL CONSULTANTS, INC. 200 EAST BRADY STREET TULSA, OKLAHOMA 74103-2012 918 584-5858, FAX 918 584-8659 OKLAHOMA C.A. #1460, EXP. 6/30/09</p>	<p>Hausner's Limited</p> <p>P.O. Box 1307 Durant, Ok 74702-1307 Phone: 580-924-6988 Fax: 580-924-6742</p>	<p>REVISION: ADDENDUM 0</p>
		<p>REVISION DATE: 00/00/00</p>
		<p>SHEET NO. <b>S01</b></p>