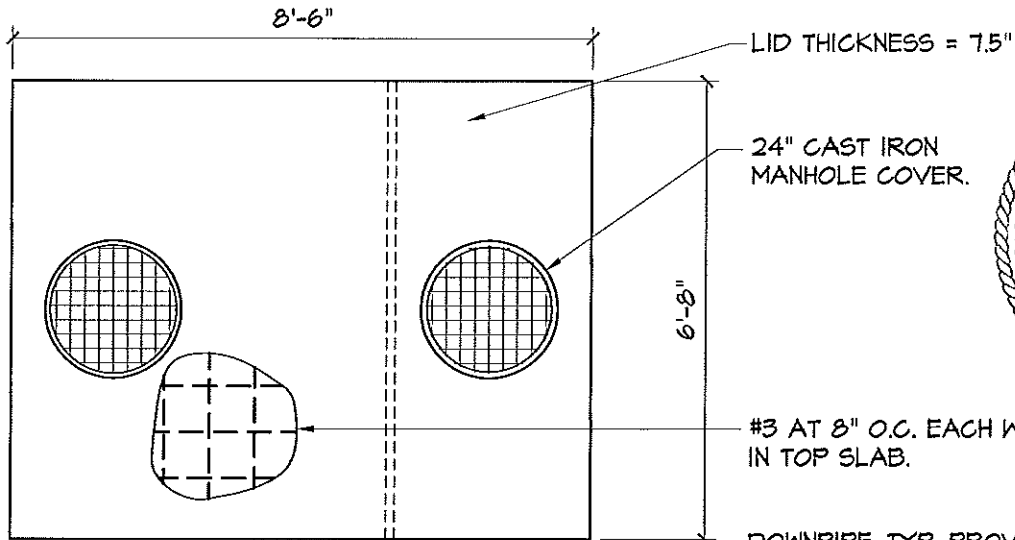
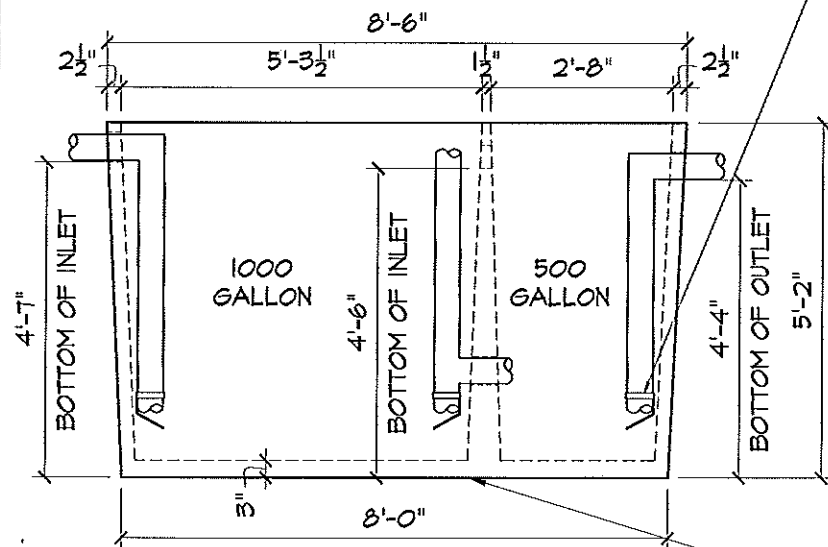


NOTES:

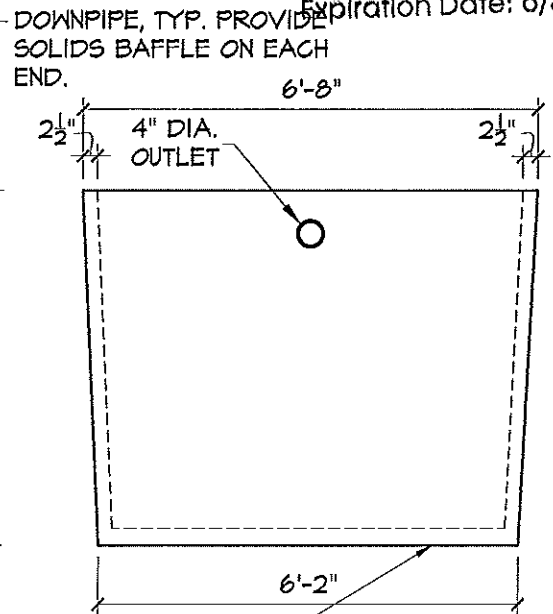
1. CONCRETE THICKNESS SHALL BE AS SHOWN.
2. CONCRETE STRENGTH = 6000 PSI. THE WATER-CEMENT RATIO SHALL NOT EXCEED 0.45.
3. REINFORCING SHALL BE #3 BARS AS SHOWN (40 KSI), PLUS NOVOMESH SECONDARY REINFORCING.
4. CEILING AND FLOOR REINFORCING SHALL BE PLACED AT THE CENTER OF THE SLABS.
WALL REINFORCING (DOWELS) SHALL BE PLACED AT 3/4 INCHES FROM INSIDE OF WALL.
5. PROVIDE (1)-#3 BAR 2 INCHES FROM FACE OF ALL OPENINGS. EXTEND 12 INCHES PAST OPENING.
6. EXTEND 90 DEGREE BARS (DOWELS) FROM BOTTOM SLAB INTO WALLS A MINIMUM OF 18".
MATCH DOWEL BARS WITH SPACING OF BOTTOM SLAB BARS AND LAP 16 INCHES.
7. THE SHELTER TOP SLAB IS DESIGNED TO SUPPORT A UNIFORM LOAD OF 295 PSF.
8. THE TOP OF THE TANK IS ASSUMED TO BE PLACED NO MORE THAN 18 INCHES BELOW THE SURFACE.
IF THE DEPTH VARIES MORE THAN 6 INCHES FROM THIS, THE STRUCTURAL ENGINEER SHOULD BE NOTIFIED.
9. ALL SOILS ADJACENT TO GREASE INTERCEPTOR SHALL BE PROPERLY COMPACTED IN UNIFORM LIFTS NOT TO EXCEED 12 INCHES. SOILS SHALL INCLUDE CLEAN SAND, GRAVEL, OR BROKEN STONE AND SHALL BE FREE OF FINES THAT MIGHT OBSTRUCT FREE DRAINAGE.



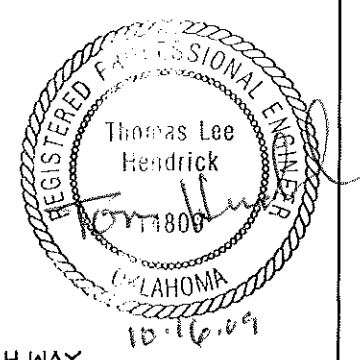
PLAN VIEW




SIDE VIEW



END VIEW



Oklahoma Certificate of Authorization # 1460
Expiration Date: 6/30/07

wallace

 WALLACE ENGINEERING
 STRUCTURAL CONSULTANTS, INC.
 200 EAST BRADY STREET
 TULSA, OKLAHOMA 74103-2012
 918 584-5858, FAX 918 584-8888

**1500 GALLON
GREASE INTERCEPTOR**

Hausner's Limited
 P.O. Box 1307 Durant, Ok 74702-1307
 Phone: 580-924-6988 Fax: 580-924-6742

PROJECT NO.: 0611169
ORIGINAL ISSUE DATE: 11/--/06
REVISION: ADDENDUM 0
REVISION DATE: 00/00/00
S01